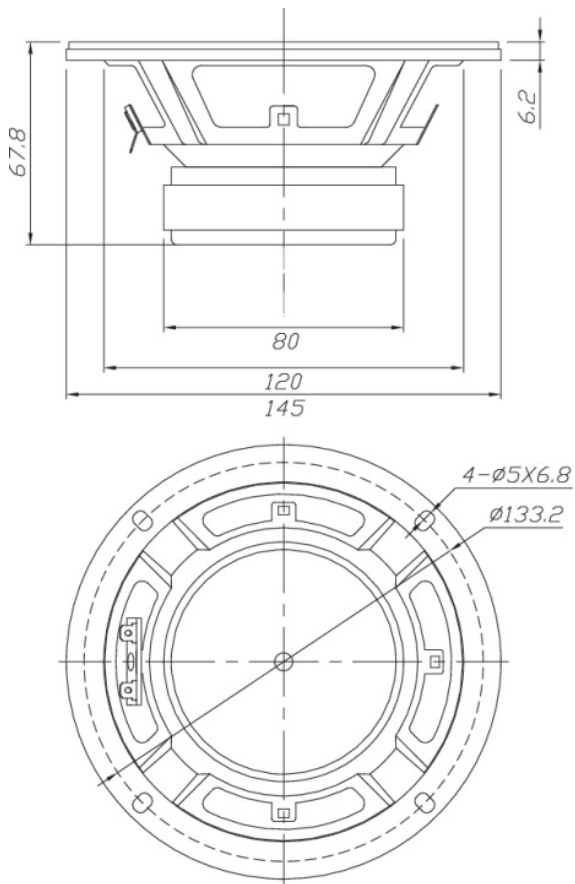




# DC130B-8 5-1/4" Classic Woofer Speaker 8 Ohm

DC130B-8



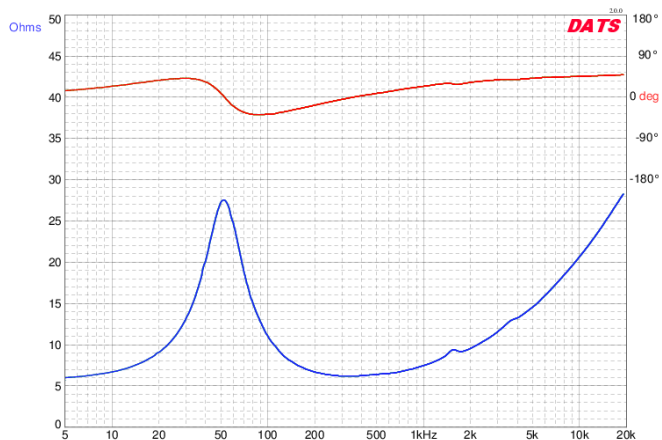
## PARAMETERS

Impedance	8 ohms
Re	5.7 ohms
Le	0.77 mH @ 1 kHz
Fs	52.5 Hz
Qms	1.85
Qes	0.48
Qts	0.38
Mms	9.1g
Cms	1.01 mm/N
Sd	91.6 cm <sup>2</sup>
Vd	22.9 cm <sup>3</sup>
BL	5.94 Tm
Vas	12.4 liters
Xmax	2.5 mm
VC Diameter	25.4 mm
SPL	89.1 dB @ 2.83V/1m
RMS Power Handling	40 watts
Usable Frequency Range (Hz)	50 - 5,000 Hz

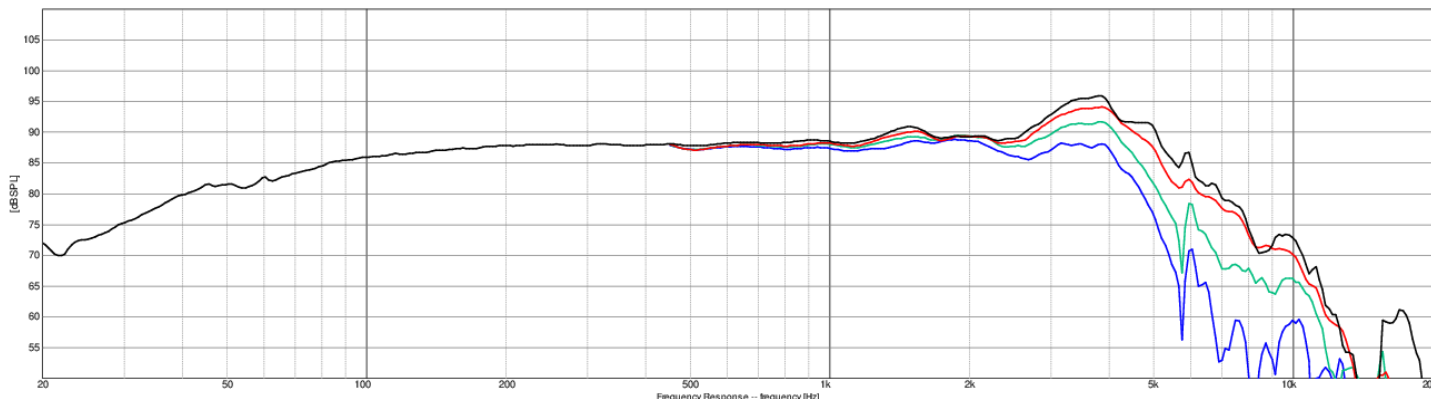
## FEATURES

- Sturdy, easy-to-countersink round steel frame
- Coated paper cone provides smooth response and reduced cone breakup
- Suitable for sealed or vented enclosures
- Large diameter flat spider and good Xmax for clean bass
- Aluminum voice coil former for high power handling

## IMPEDANCE/PHASE



## FREQUENCY RESPONSE



Note: 1/12<sup>th</sup> octave smoothing - nearfield response included in graph below 450 Hz.

Black = 0°  
Red = 15°  
Green = 30°  
Blue = 45°