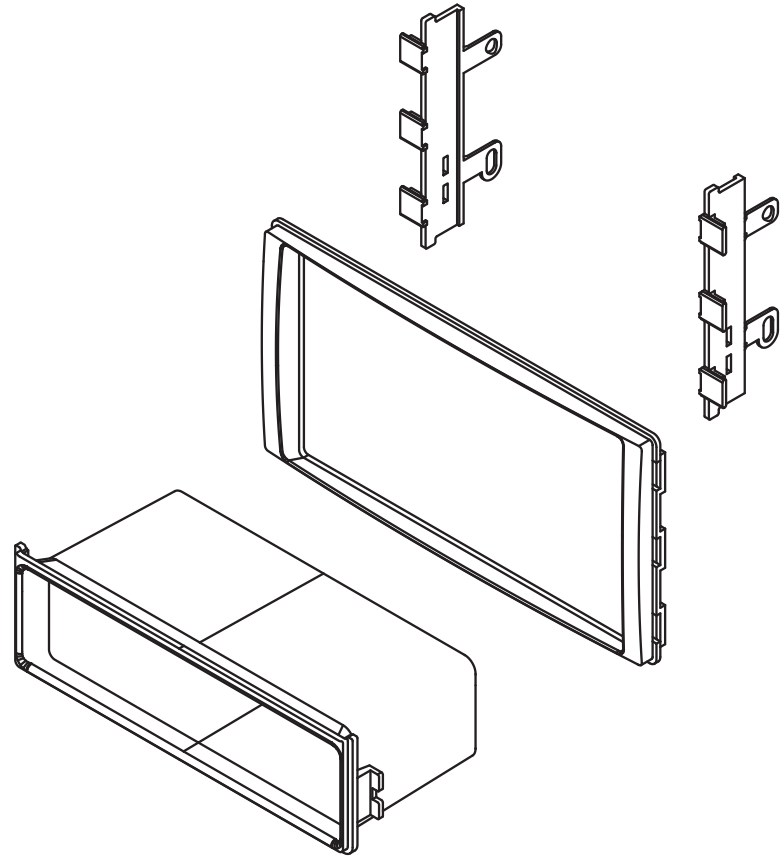




CT24NS34

...connecting to the aftermarket



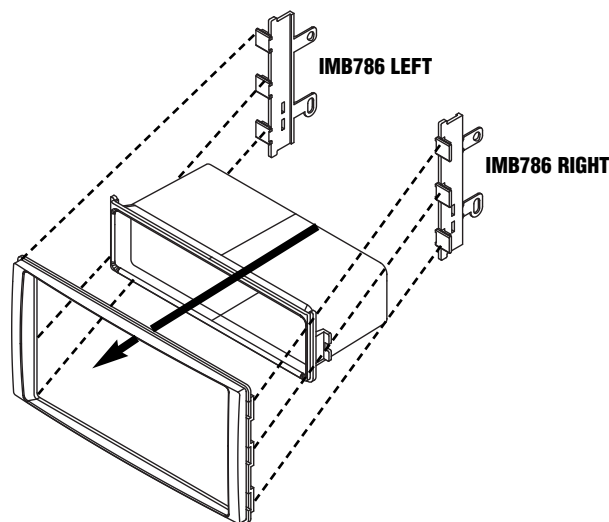
VEHICLE APPLICATIONS (With Oversize Radio).

Nissan	2013-14 TITAN
2013-16 CITY EXPRESS	2013-16 VESA
2013-16 FRONTIER	2014-16 VESA NOTE
2015-16 JUKE	2013-15 XTERRA
2015-16 NV	
2013-15 NV200	
2013-15 QUEST w/ base radio	
2012-13 ROGUE	
2014-15 ROGUE w/ base radio	

SINGLE DIN w/POCKET KIT ASSEMBLY INSTRUCTIONS

1. Attach ISO brackets to the rear of the main mounting kit.
2. Slide pocket into the rear on the ISO brackets and snap into bottom location.
3. Attach the factory metal mounting brackets to the rear left and right sides of the aftermarket radio using (2)screws removed from the factory radio.
4. Place main frame of the CT24NS34 around the front of the aftermarket radio, then screw the ISO brackets between the OEM metal mounting brackets and the aftermarket front screw locations using the (2)screws removed from the factory radio.
5. Using the bolt and nut provided. Secure the bottom front right and left of the OEM metal mounting brackets to the bottom of the CT24NS34 ISO brackets.

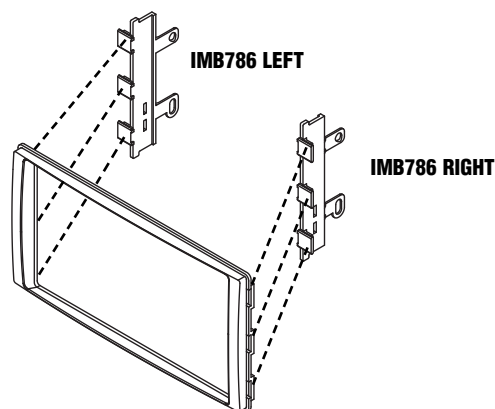
Fig A



DOUBLE DIN KIT ASSEMBLY INSTRUCTIONS

1. Attach ISO brackets to the rear of the main mounting kit.
2. Attach the factory metal mounting brackets to the rear left and right sides of the aftermarket radio using (4)screws removed from the factory radio.
3. Place main frame of the CT24NS34 around the front of the aftermarket radio, then screw the ISO brackets between the OEM metal mounting brackets and the aftermarket front screw locations using the (4)screws removed from the factory radio.

Fig B



2012-14 NISSAN VERSA SEDAN / 2014 VERSA NOTE

DASH DISASSEMBLY

1. Carefully pry forward and unclip the Radio/Vent trim bezel and then unplug the hazzard and airbag light (do not turn key on once unplugged). Remove panel.
2. Remove the (4) Phillips screws securing the radio to the sub-dash.
3. Pull the radio forward, disconnect all harnesses and antenna lead and remove radio.

2007-12 NISSAN VERSA HATCHBACK

2007-11 NISSAN VERSA SEDAN

DASH DISASSEMBLY

1. Starting from the front, carefully pry up on the top dash vent trim and pull forward to remove.
2. Remove the (2) Phillips screws securing the top edge of the radio trim bezel.
3. Carefully pull the radio trim bezel forward, disconnect all attached harnesses from the back of the radio trim bezel and remove trim bezel.
4. Remove the (4) Phillips screws securing the factory radio to the sub-dash.
5. Carefully pull the radio forward, disconnect all harnesses and antenna connector and remove radio.

2013-14 NISSAN FRONTIER/XTERRA

DASH DISASSEMBLY

1. Carefully remove the panel from the top of the radio.
2. Remove the (1) Phillips screw from the top of the Radio dash trim bezel.
3. Carefully lift upward from the bottom of the radio trim bezel, pull Radio trim bezel forward and remove.
4. Remove the (2) Phillips screws securing the factory radio to the sub-dash.
5. Pull Radio forward, disconnect all harnesses and antenna lead from radio and remove radio.
6. Remove the (4) Torx screws securing the factory radio to the dash panel.

2013-14 NISSAN TITAN

DASH DISASSEMBLY

1. Carefully remove the panel surrounding the radio and climate controls.
2. Remove the (4) Phillips screws securing the factory radio to the sub-dash.
3. Pull Radio forward, disconnect all harnesses and antenna lead from radio and remove radio.

2011-13 NISSAN ROGUE

DASH DISASSEMBLY

1. Using a panel removal tool, carefully pry the front edge of the center channel speaker cover upward to unclip and remove from the top of the dash.
2. Remove the (4) Phillips screws securing the center channel speaker (If equipped).
3. Disconnect the center channel wire harness from the speaker and remove speaker if equipped.
4. Carefully pry the lower side edge trim pieces from beside the Vent/Hazard assembly, then using a panel removal tool from inside the center channel speaker area at the top of the dash, slide the panel removal tool between the center channel speaker mount surface, and the base beneath the center channel speaker mount surface and pry upward on the Vent panel assembly, disconnect all harnesses from the rear of the panel and remove assembly.
5. Using a panel removal tool, carefully pry the climate control panel forward and lay out of the way.
6. Remove the (4) Phillips screws securing the radio to the sub-dash.
7. Carefully pull the radio forward, disconnect all wire harnesses and antenna lead and remove radio.