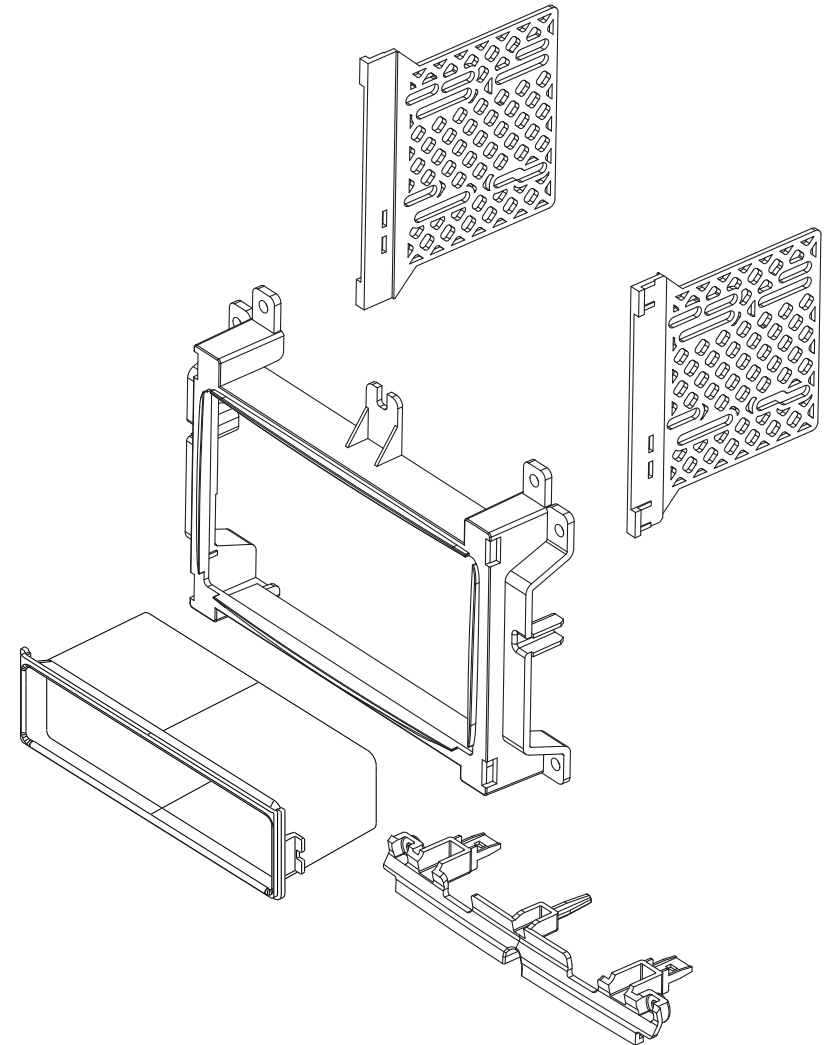




CT23JP09

...connecting to the aftermarket



VEHICLE APPLICATIONS

DODGE

2014-15 DURANGO

JEEP

2014-15 GRAND CHEROKEE

DASH DISASSEMBLY

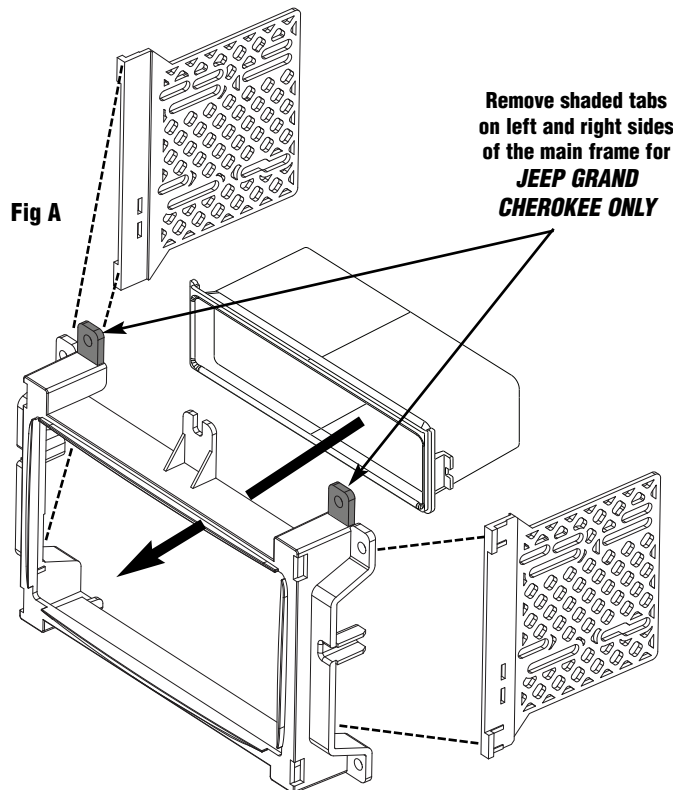
1. Using a soft tool unsnap the panel surrounding the radio that includes the climate controls. Unplug all harnesses. Remove.
2. From the OEM radio remove (4) Phillips screws. Remove Radio. Unplug all harnesses and antenna connections.
3. From the OEM panel remove the trim from the radio opening. Saving 3 screws for kit assembly. Also remove 2 plastic retainer clips for use on the OEM panel support supplied with the CT23JP09.

KIT ASSEMBLY INSTRUCTIONS

Single ISO Mount Applications

1. Install the OEM panel support supplied with the CT23JP09 to the back of the OEM panel above the radio opening using 3 screws from the radio opening trim, also adding the 2 plastic retainer clips.
2. Install ISOBRK2 brackets to rear of main frame .
3. Insert pocket into lower section of the ISOBRK2 brackets
4. Insert ISO mountable radio between ISO mount brackets and loosely attach to sides of radio using screws provided with radio when possible, or screws supplied with kit.
5. Using the main frame of the CT23JP09 as a guide, slide radio forward or backward for desired look and then tighten screws to the radio.

NOTE: Check mounting depth available, it may be necessary to relocate OEM module to achieve enough depth in dash to mount radio.



Double DIN Mount Applications

1. Install the OEM panel support supplied with the CT23JP09 to the back of the OEM panel above the radio opening using 3 screws from the radio opening trim, also adding the 2 plastic retainer clips.
2. Install ISOBRK2 brackets to rear of main frame .
3. Insert ISO mountable radio between ISO mount brackets and loosely attach to sides of radio using screws provided with radio when possible, or screws supplied with kit.
4. Using the main frame of the CT23JP09 as a guide, slide radio forward or backward for desired look and then tighten screws to the radio.

NOTE: Check mounting depth available, it may be necessary to relocate OEM module to achieve enough depth in dash to mount radio.

