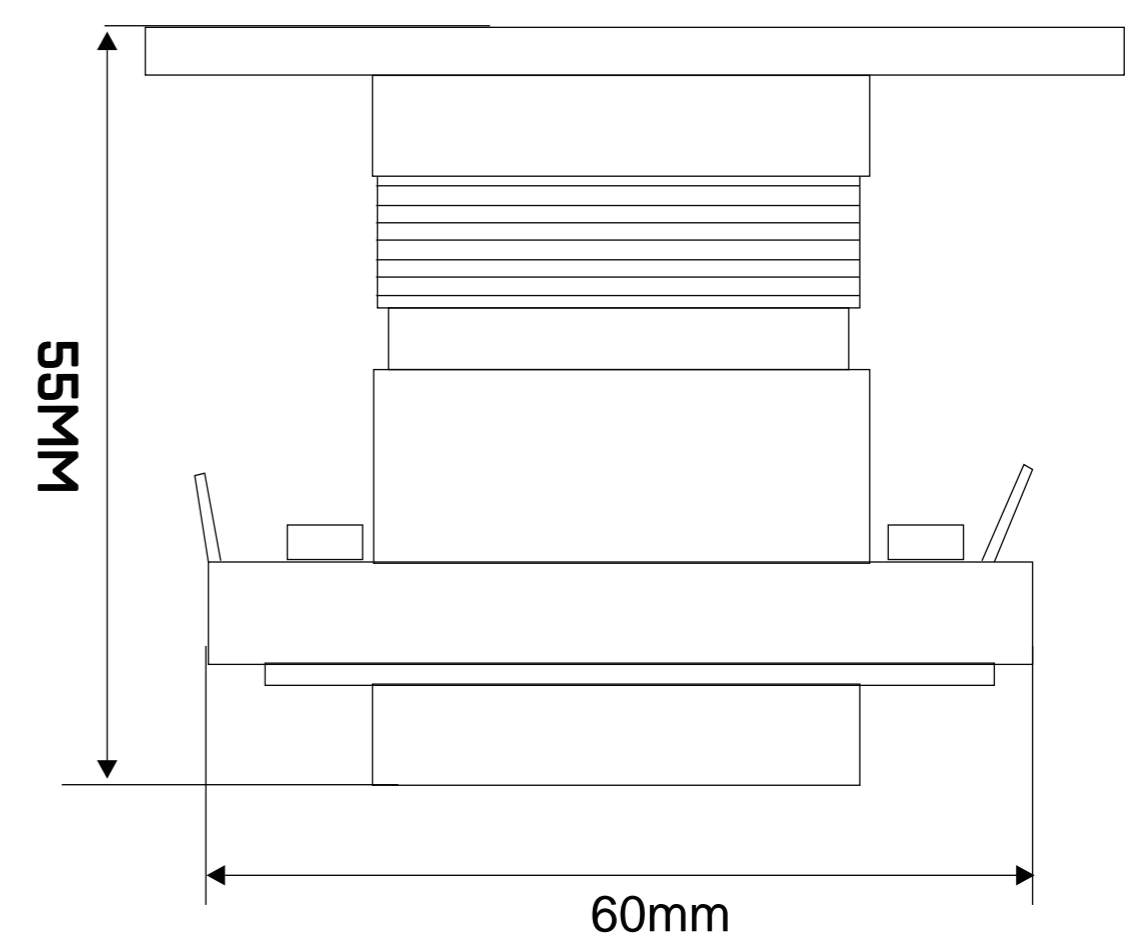
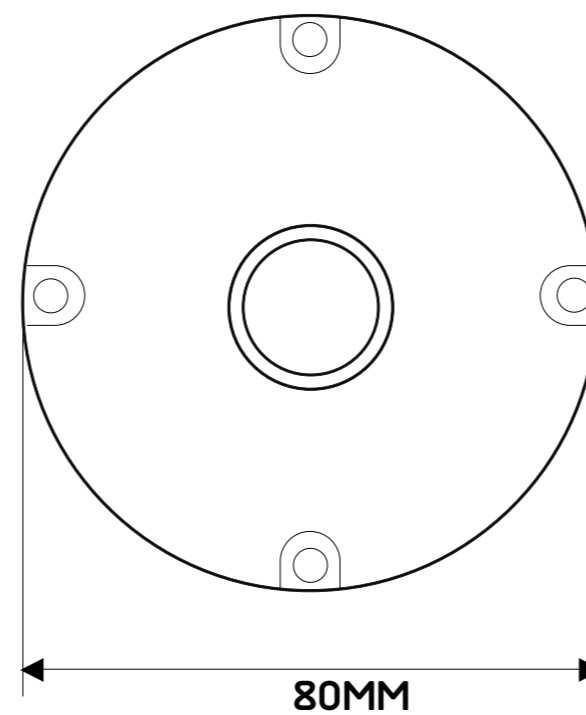
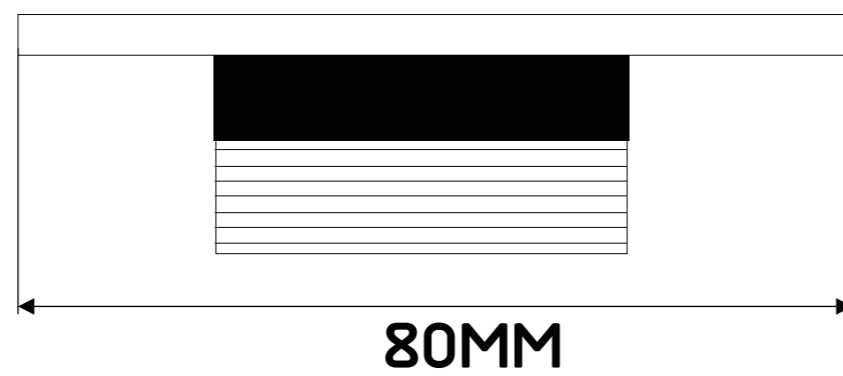
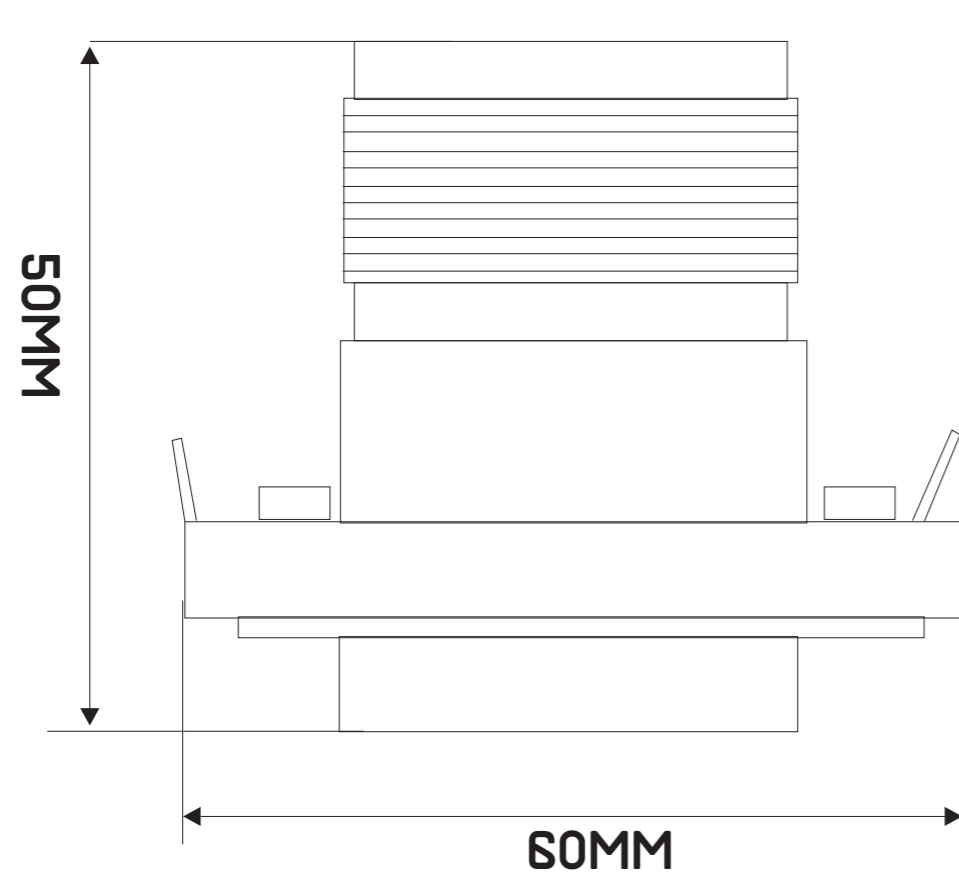


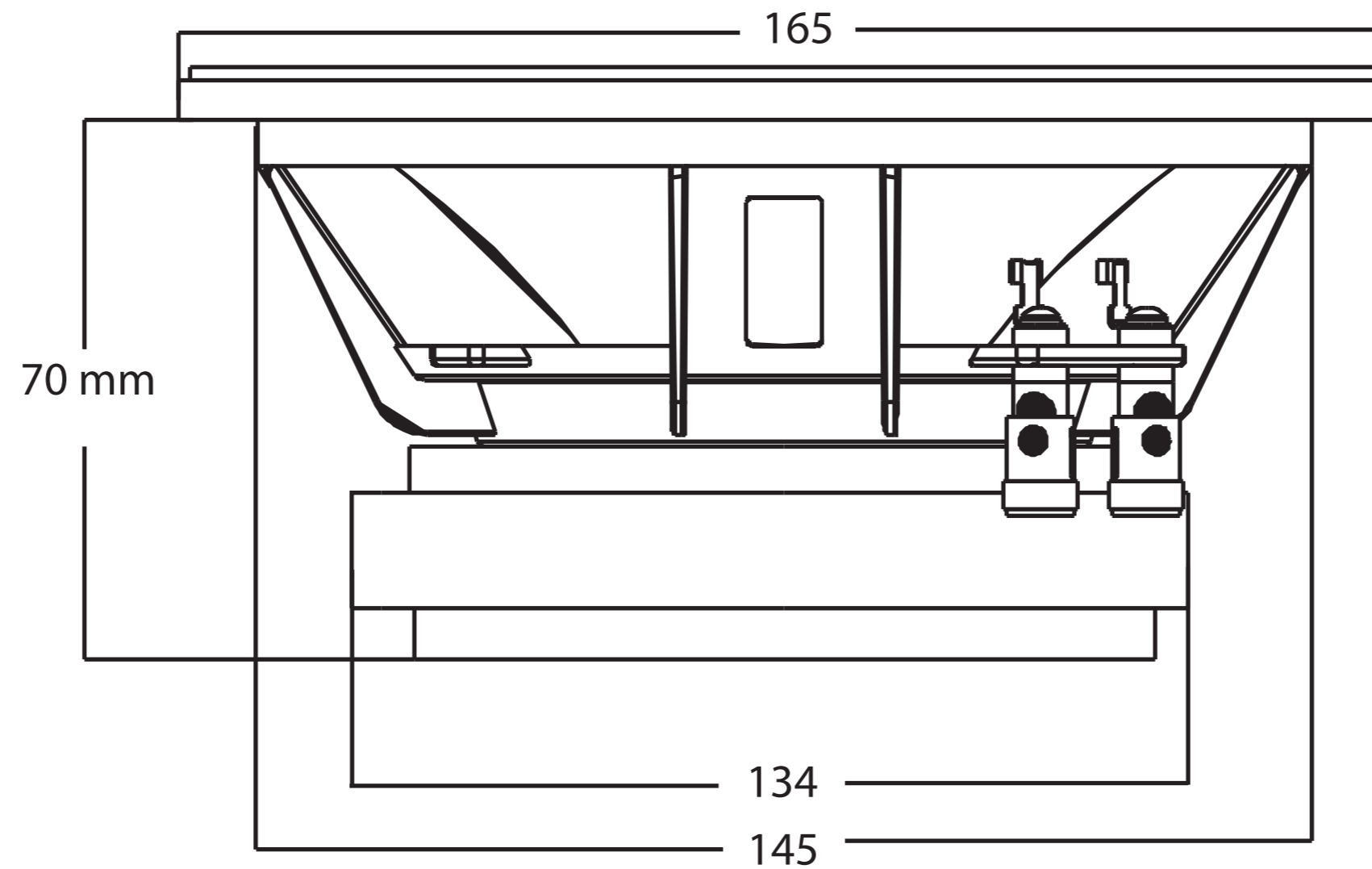
RAGE CDR

1" COMPRESSION DRIVER

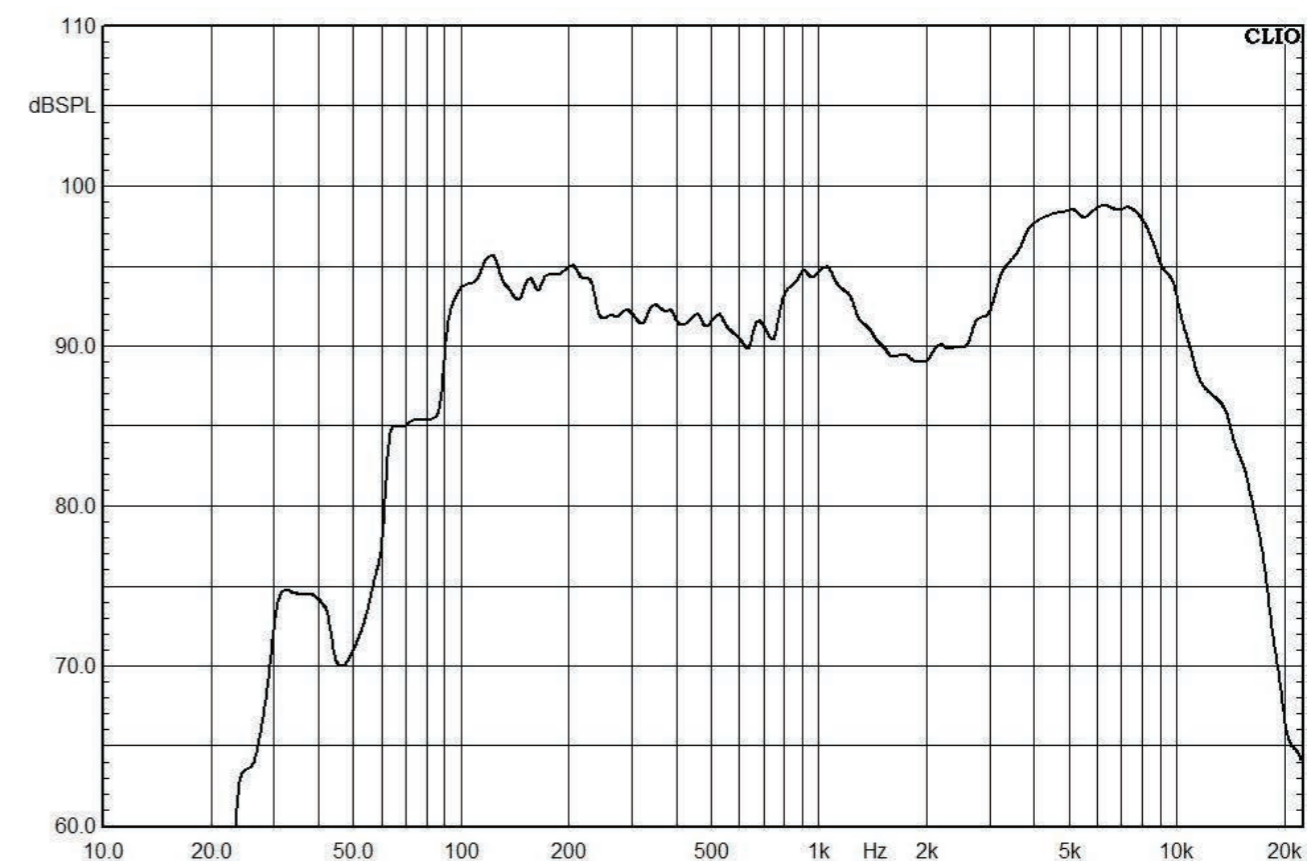


NOMINAL DIAMETER (INCH):	3.14"
NOMINAL IMPEDANCE:	4 OHM
DC RESISTANCE:	3.6 OHM
SENSITIVITY (DB 1W/2.83V):	105 DB
FREQUENCY RANGE (HZ):	2.5 KHZ - 20 KHZ
MAGNET:	NEODYMIUM
POWER:	20 W RMS
VOICE COIL:	1"

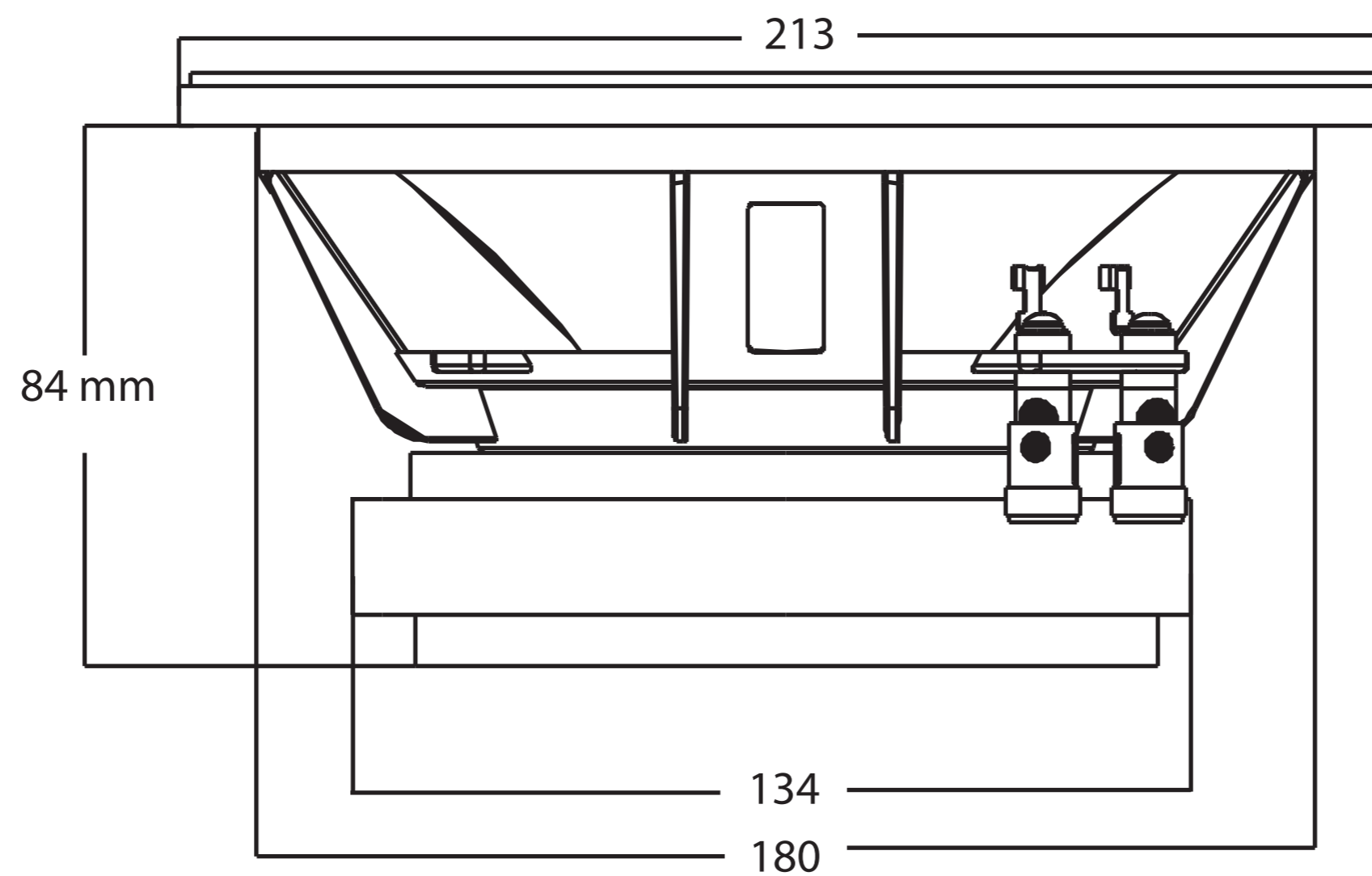
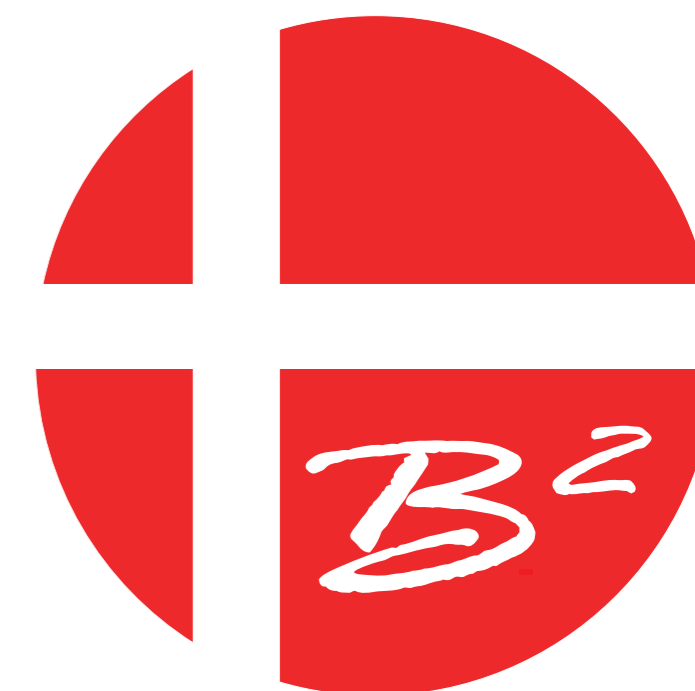
RAGE 6P



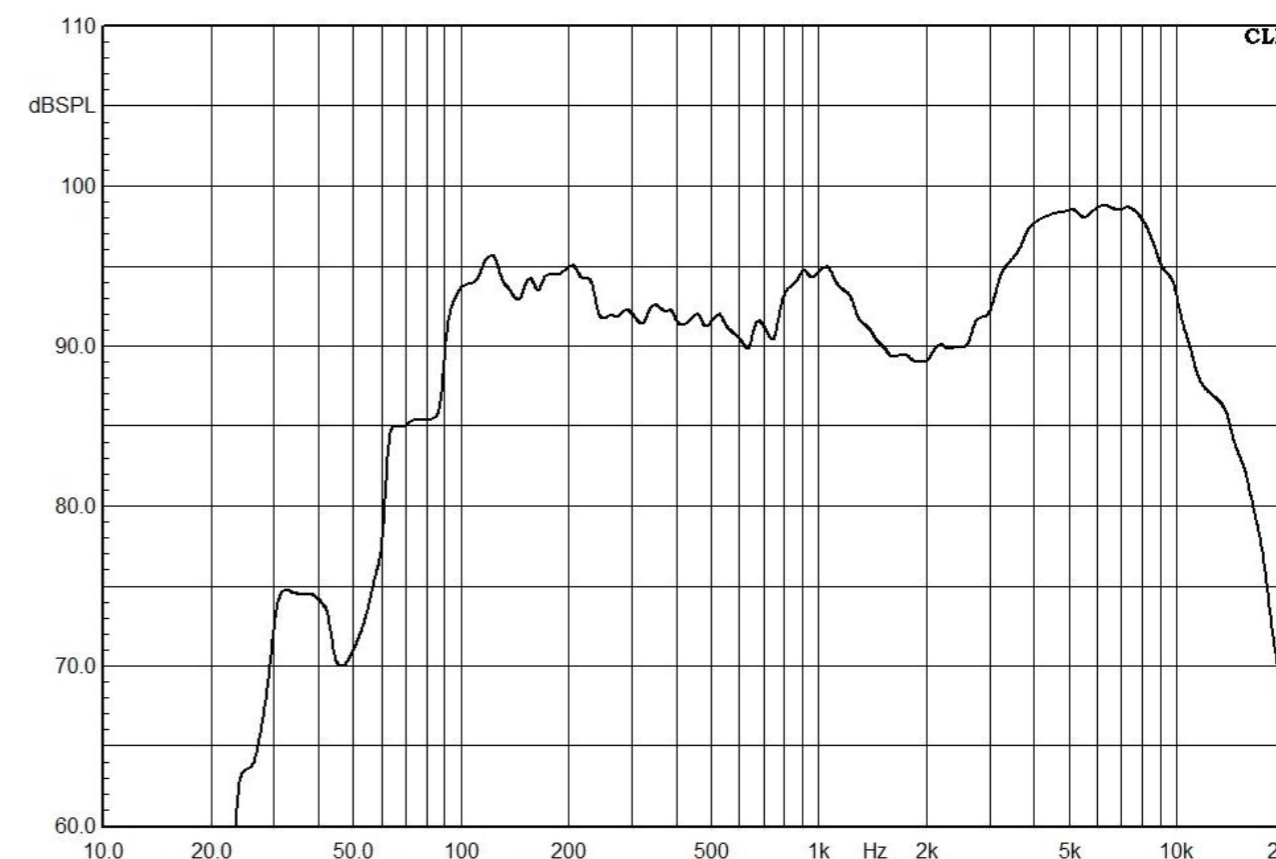
NOMINAL DIAMETER (INCH):	6.5"
NOMINAL IMPEDANCE:	4 OHM
DC RESISTANCE:	3.6 OHM
SENSITIVITY (DB 1W/2.83V):	95.7 DB
FREQUENCY RANGE (HZ):	94 HZ - 6 KHZ
FS (HZ):	94 HZ (BURN IN DONE)
QES:	0.65
QMS:	13.5
QTS:	0.62
VAS:	5.4 L
BL:	6.3 TM
MAGNET:	25 OZ
POWER:	120 W RMS
VOICE COIL:	1.5"
CONE MATERIAL:	COATED PAPER
SURROUND:	DUAL U SHAPED CLOTH



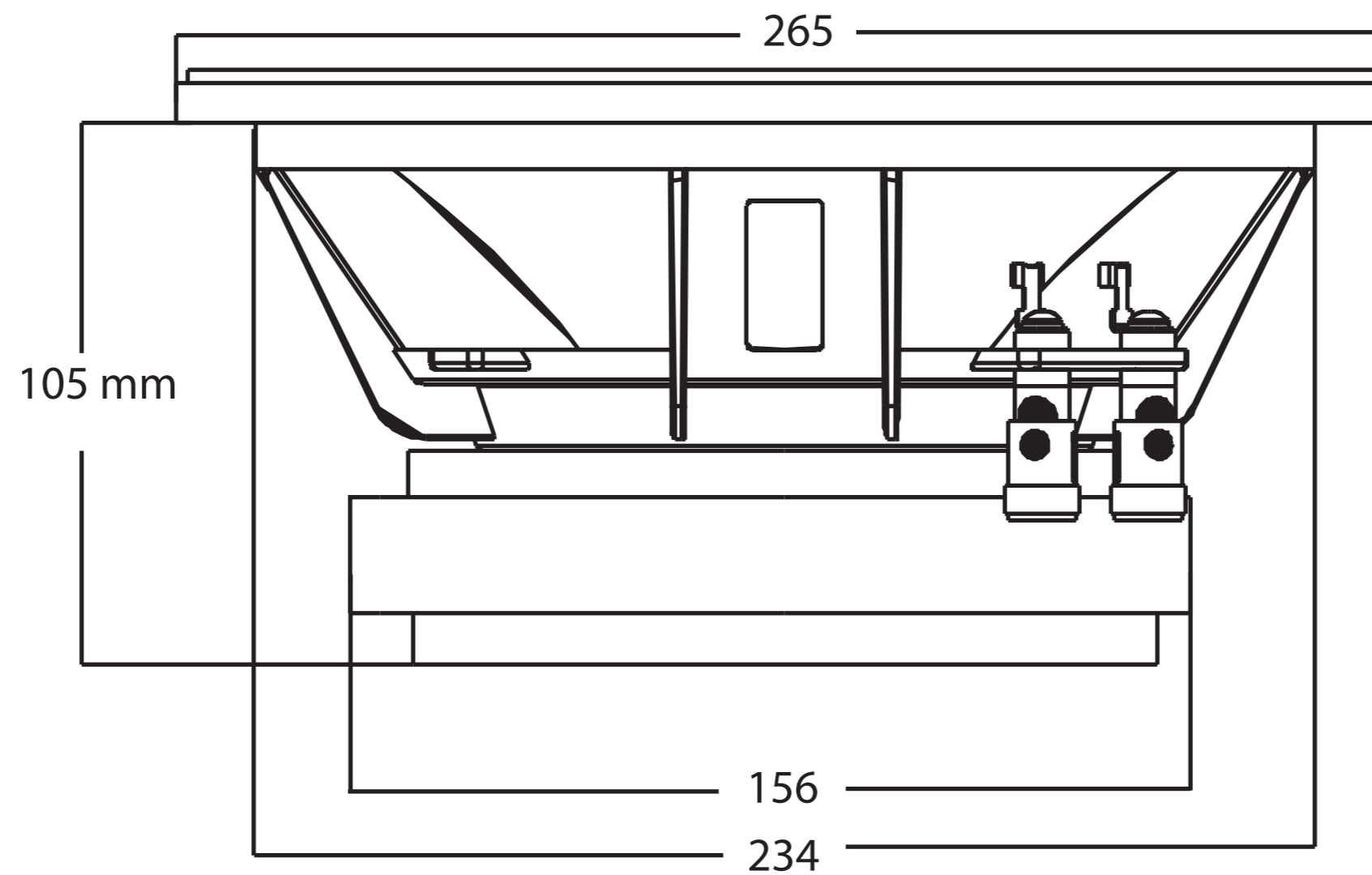
RAGE 8P / RAGE 8PWR



NOMINAL DIAMETER (INCH):	8"
NOMINAL IMPEDANCE:	4 OHM
DC RESISTANCE:	3.6 OHM
SENSITIVITY (DB 1W/2.83V):	95.7 DB
FREQUENCY RANGE (HZ):	80 HZ - 8 KHZ
FS (HZ):	90 HZ (BURN IN DONE)
QES:	0.839
QMS:	11.682
QTS:	0.783
VAS:	9.22 L
BL:	6.99 TM
MAGNET:	30 OZ
POWER:	250 W RMS
VOICE COIL:	2"
CONE MATERIAL:	COATED PAPER / WATER RESISTANT COATING
SURROUND:	DUAL U SHAPED CLOTH



RAGE 10P / RAGE 10PWR



NOMINAL DIAMETER (INCH):	10"
NOMINAL IMPEDANCE:	4 OHM
DC RESISTANCE:	3.6 OHM
SENSITIVITY (DB 1W/2.83V):	97.8 DB
FREQUENCY RANGE (HZ):	60 HZ - 5 KHZ
FS (HZ):	66 HZ (BURN IN DONE)
QES:	0.673
QMS:	8.463
QTS:	0.623
VAS:	15.97 L
BL:	9.82 TM
MAGNET:	35 OZ
POWER:	350 W RMS
VOICE COIL:	3"
CONE MATERIAL:	COATED PAPER / WATER RESISTANT COATING
SURROUND:	DUAL U SHAPED CLOTH

